

**VERSA-MATIC
PUMP**

**E5
HALF INCH
PUMPS**

OEM Systems

Inks

Chemicals

Resins

Paints and Coatings

Plating



Multiple Porting Options

Horizontal, vertical and end porting
for both inlet and discharge



Shoe Valve Technology

Fewer moving parts for dependable
service and simplified maintenance



Adaptable Footprint

Allows for drop-in placement in
existing system configurations



IDEX
IDEX CORPORATION

E5 1/2" Bolted Pumps with Plastic Center Sections



The redesigned E5 1/2" Bolted Pump features our Elima-Matic® Air Valve System with Shoe Valve technology. The result is **non-stalling, non-icing and lube-free** operation plus the **elimination of blow-by** when the pump is on line but not in use.

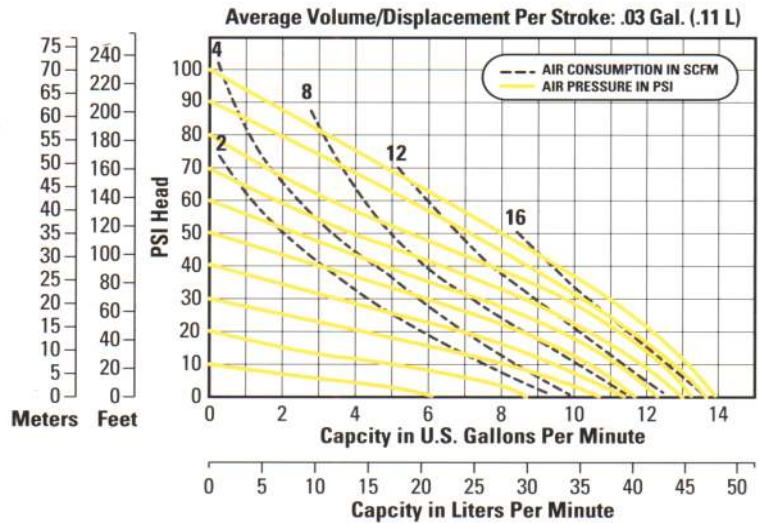
Constructed of plastic, the center section **resists corrosion** from even the most aggressive chemicals, while providing **improved operation** and **ease of maintenance**. The plastic E5 model offers **top, side and end ports for both inlet and discharge** to provide greater installation options. And the **leak-free bolted construction** of the E5 comes in a variety of different materials, which makes the pump perfect for all of your less-than-perfect conditions.

What's more, the E5P **adaptable footprint** is designed to conform to your system, so you won't need to adjust your system to fit the pump. Consult your authorized distributor for more details.



PERFORMANCE

E5



SPECIFICATIONS

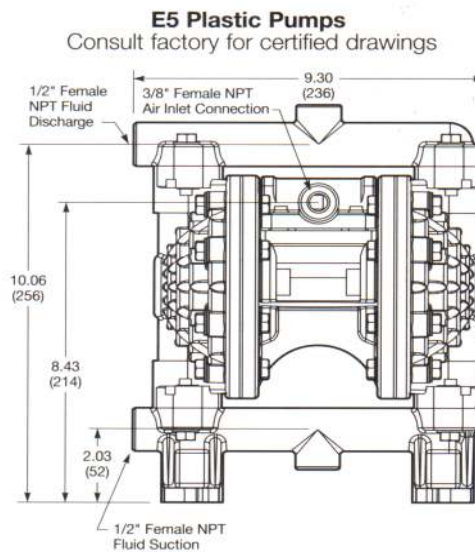
E5

	English	Metric
Flow rate		
adjustable to	0-14 gpm	0-53 lpm
Port size		
Inlet and Outlet	1/2" NPT	
Air inlet	0.375" NPTF	
Air exhaust	0.375" NPTF	
Suction lift*		
Dry (Teflon®)	20' (5')	6.10 m (1.52 m)
Wet (Teflon®)	25' (10')	7.62 m (3.05 m)
Max. particle size		
Diameter	0.0625"	1.6 mm
Shipping weight		
Polypropylene	6.795 lbs	3.08 kg
Conductive Acetal	8.5 lbs	3.86 kg
Kynar®	9.405 lbs	4.27 kg
Aluminum	15 lbs	6.80 kg
Stainless Steel	18 lbs	8.17 kg
Hastelloy C	18 lbs	8.17 kg

Teflon® is a registered trademark of DuPont.
Kynar® is a registered trademark of Penwalt Corp.

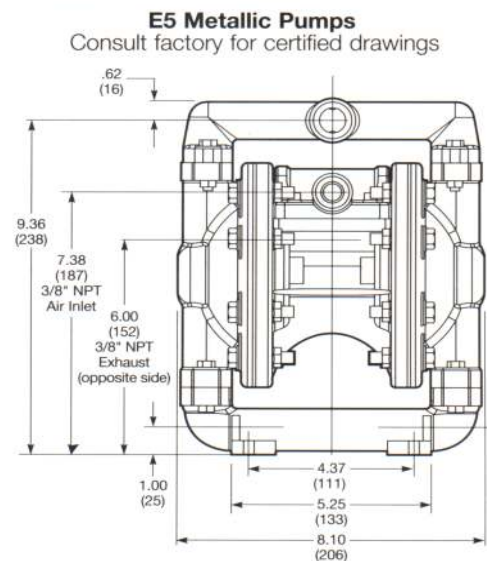
DIMENSIONS

E5P



DIMENSIONS

E5M



Measurements in inches (millimeters)

* For E5 pumps fitted with Teflon® diaphragms, reduce water discharge figures by 20%.
Suction lift is reduced to 5' (1.52 m) dry and 10' (3.05 m) wet.



VERSA-MATIC® PUMP COMPANY

A Unit of IDEX Corporation
6017 Enterprise Drive
Export, PA 15632-8969

(724) 327-7867

Fax: (724) 327-4300

www.versamatic.com



©2003 IDEX Corporation

VM-0603-1