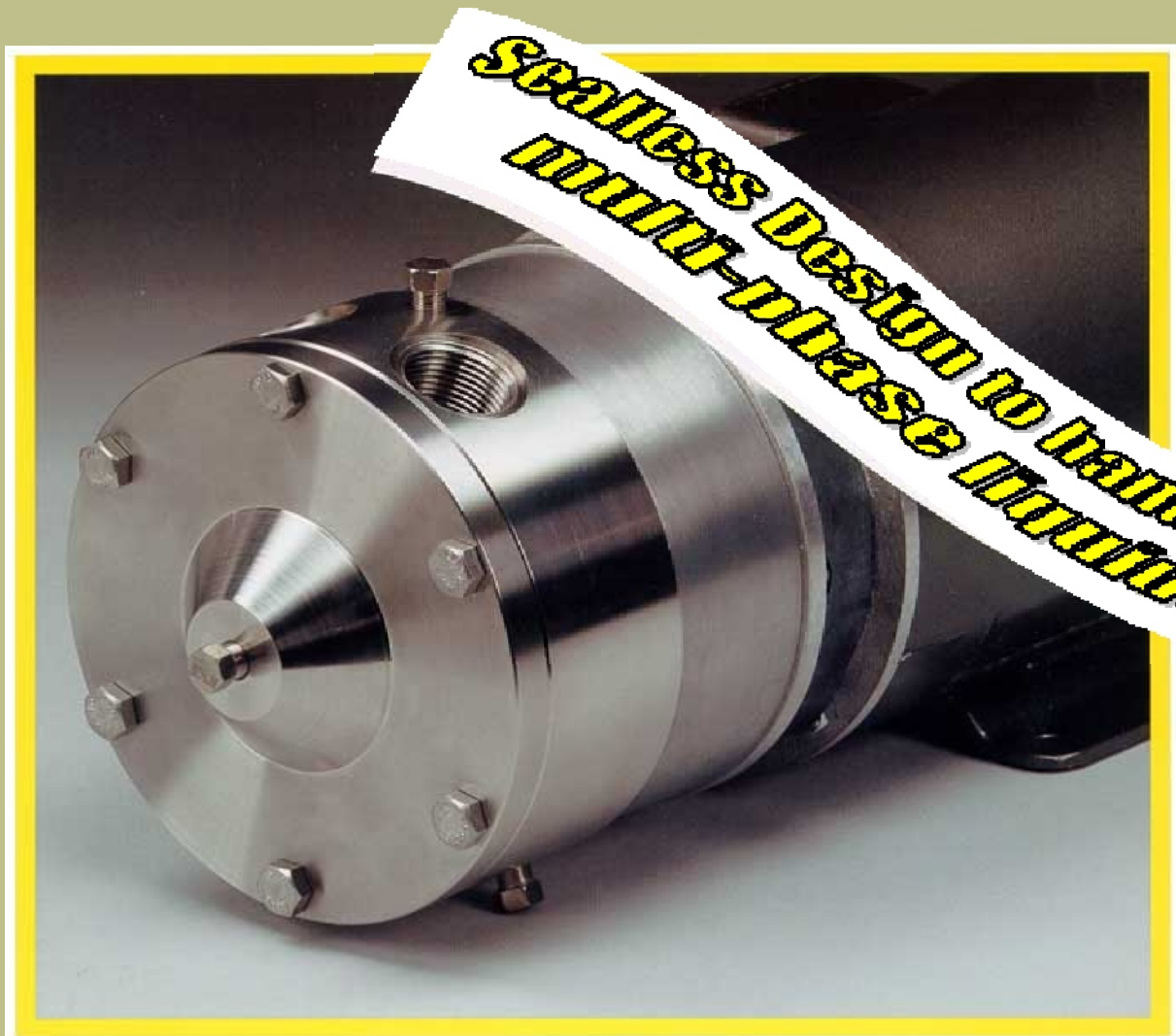


Isochem[®]

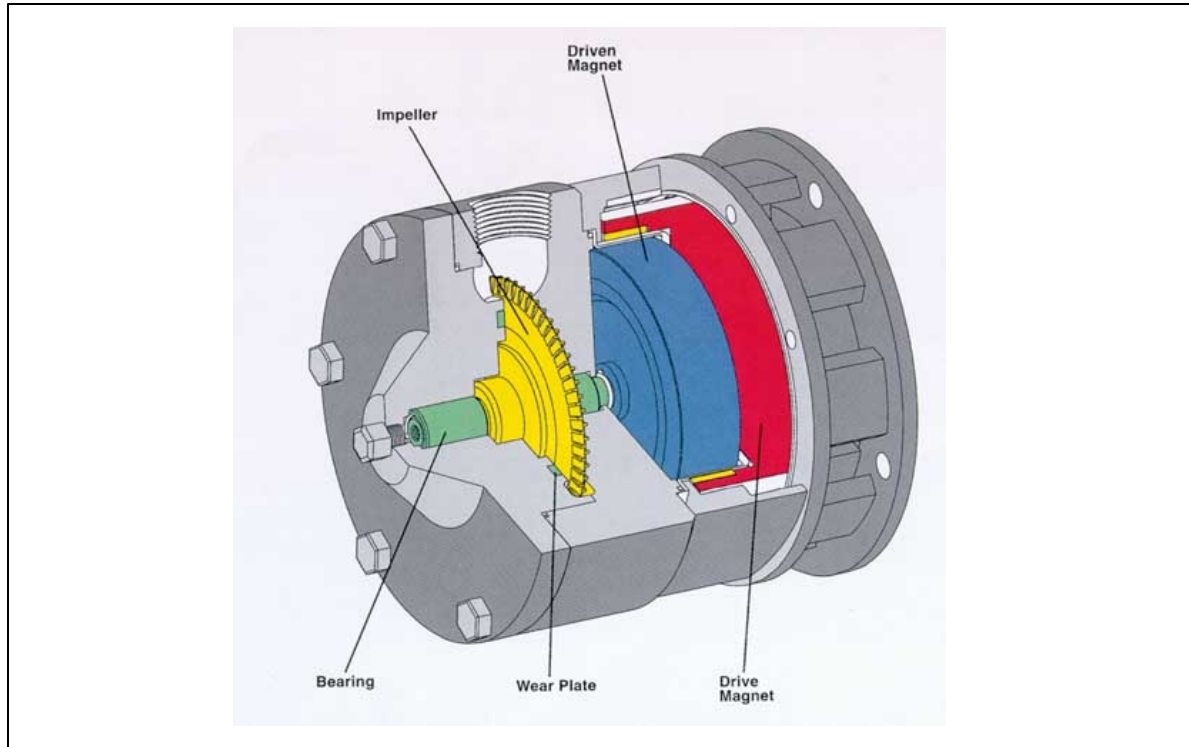
RGT Series
Magnetic Drive
Regenerative Turbine Pump



PULSAFEEDER
A Unit of IDEX Corporation

IDEX
IDEX CORPORATION

Pulsafeeder continues to lead the way in pump innovation with the Isochem Regenerative Turbine Pump



Designed for Superior Reliability, Performance and Safety

Reduces downtime and maintenance costs through extended service intervals. Access for inspection, cleaning, and key parts replacement requires only removal of the cover, with no disturbance to process connections.

Four angular installation options resulting in eight installation configurations make the pump adaptable to any installation requirements.

Flow rate is relatively insensitive to operating variations in head.

The pumps are bi-directional. This lets you change flow direction and provides the flexibility to easily mate to your piping requirements.

Precision machined high alloy components provide reliability and superior corrosion resistance.

Magnetic drive cooled by internal circulating flow.

Specifications

Pump Model	RGT 10	RGT 12
Maximum Flow, GPM (LPM) @ 3450 RPM	14.5 (55.0)	23.3 (88.3)
Maximum Flow, GPM (LPM) @ 2875 RPM	11.0 (41.7)	19.0 (72.0)
Maximum Flow, GPM (LPM) @ 1725 RPM	4.5 (17.1)	9.8 (37.1)
Maximum Head, FT (METERS)	427 (130)	693 (211)
Maximum Discharge Pressure, PSIG (Bar)	300 (20.7)	300 (20.7)
Maximum Suction Pressure, PSIG (Bar)	100 (6.9)	100 (6.9)
Suction Size	1" FNPT/FBSPT	1" FNPT/FBSPT
Discharge Size	1" FNPT/FBSPT	1" FNPT/FBSPT
Temperature Range, Neodymium	-100° to +300° F -73° to +149° C	-100° to +300° F -73° to +149° C
Temperature Range, Samarium	-100° to +450° F -73° to +232° C	-100° to +450° F -73° to +232° C
Maximum Viscosity* cp	100	100
Speeds RPM	3450, 2875, 1725	3450, 2875, 1725
Weight, LBS, (KG)	36 (16.40)	40 (18.1)
Maximum Power	5 HP	7-1/2 HP

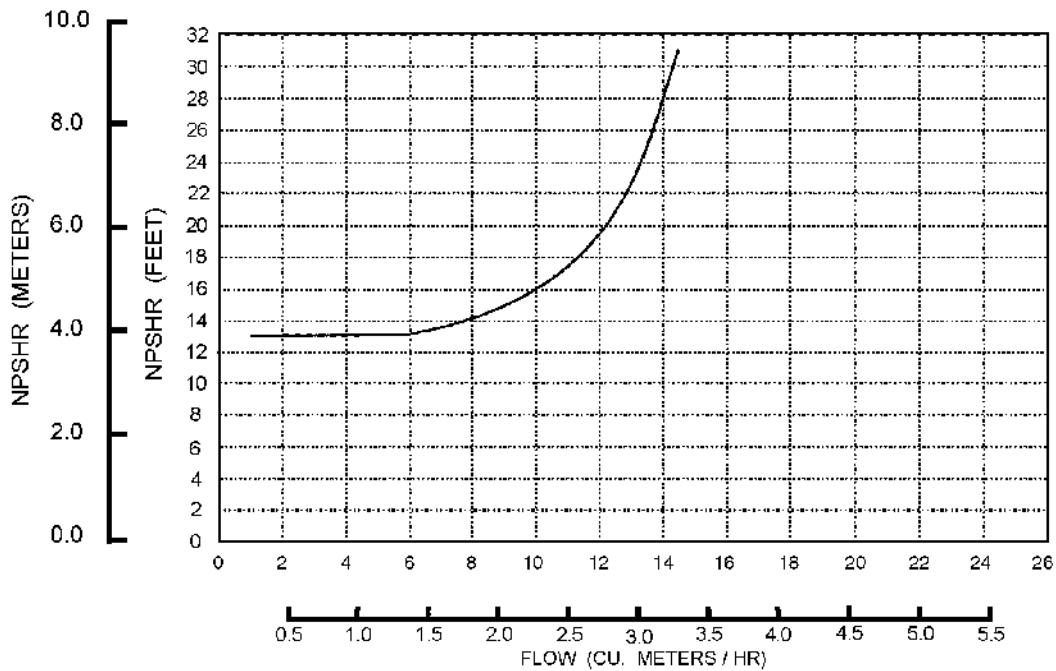
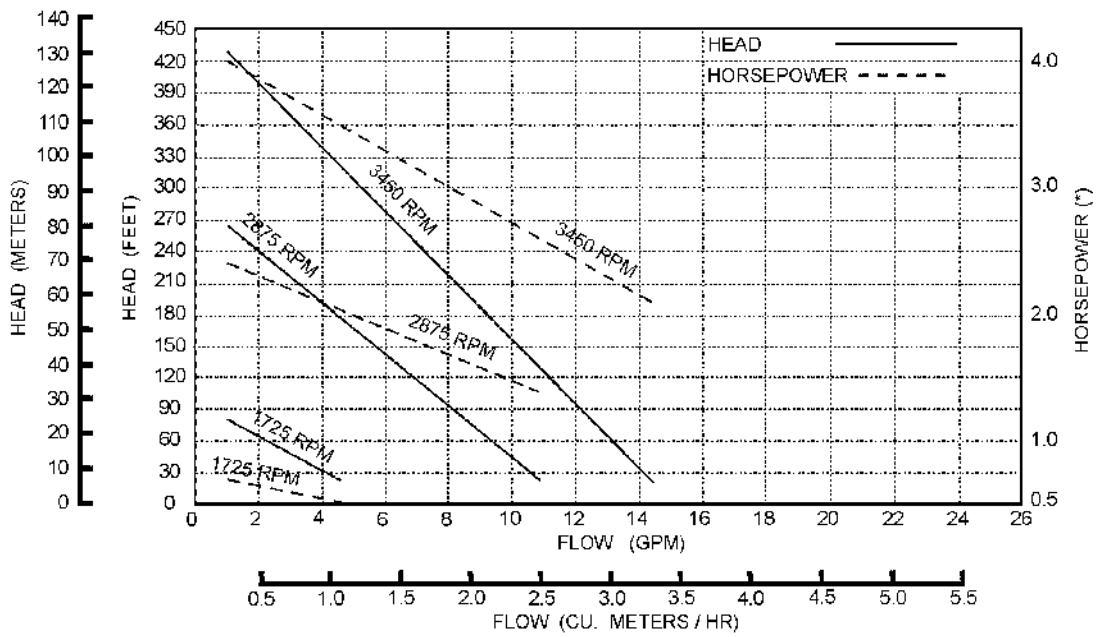
*Consult factory for viscosity requirements higher than 100 cp

Performance Curves

ISOICHEM REGENERATIVE TURBINE #10

INLET : 1"
OUTLET : 1"

TEST MEDIA: WATER
RPM: 3450, 2875, 1725

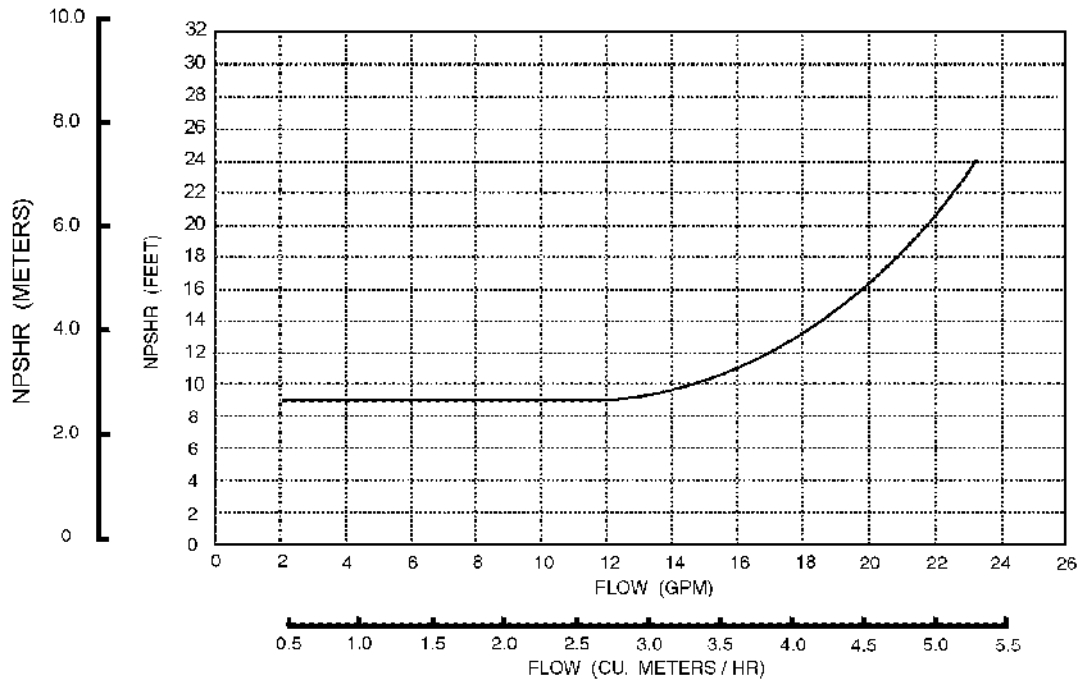
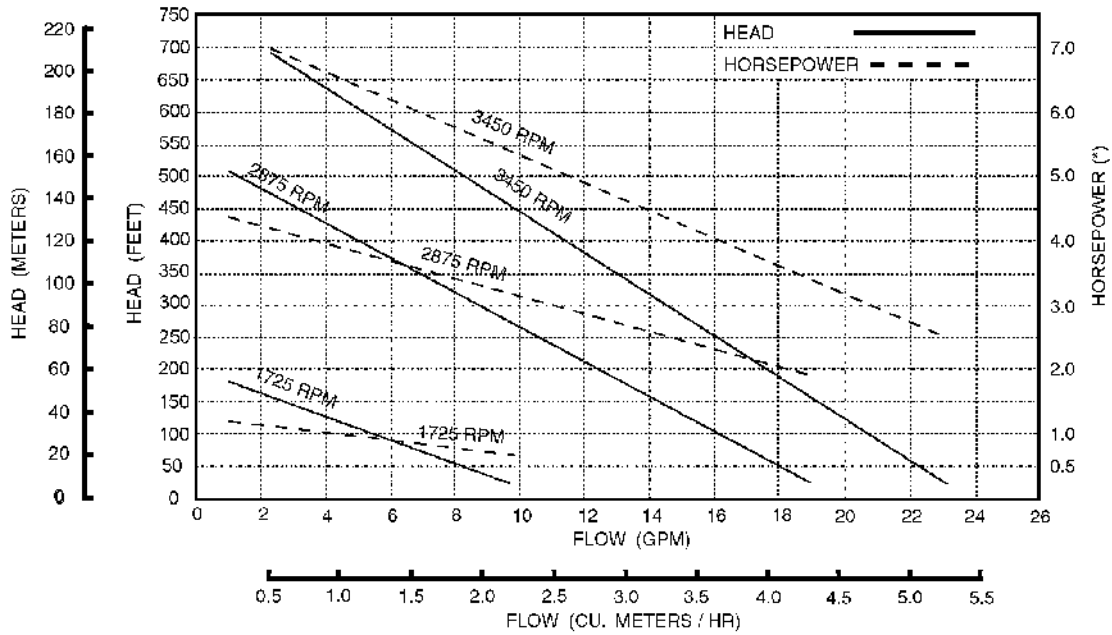


(*) DENOTES HORSEPOWER IS PLOTTED AGAINST FLOW

ISOICHEM REGENERATIVE TURBINE #12

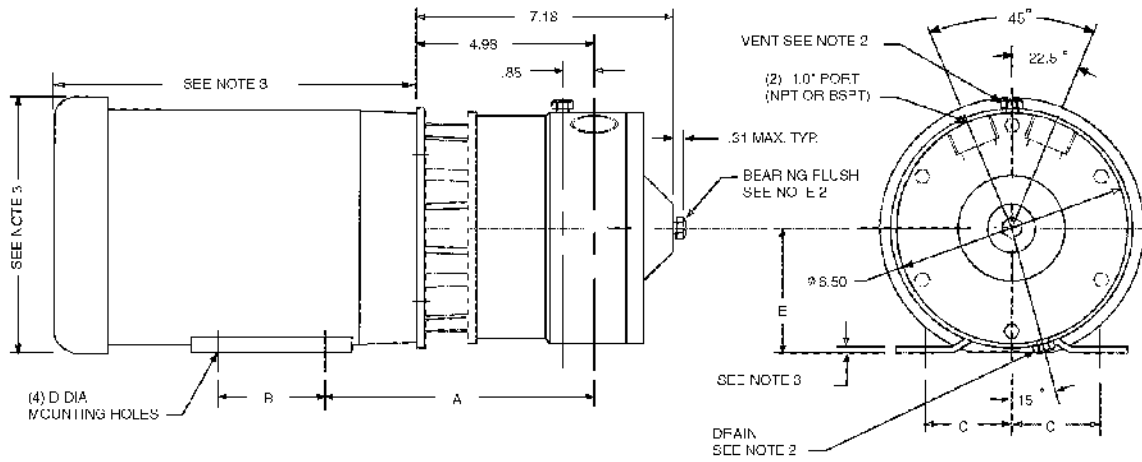
INLET : 1"
 OUTLET : 1"

TEST MEDIA : WATER
 RPM: 3450, 2875, 1725



(*) DENOTES HORSEPOWER IS PLOTTED AGAINST FLOW

Pump Dimensional Data:

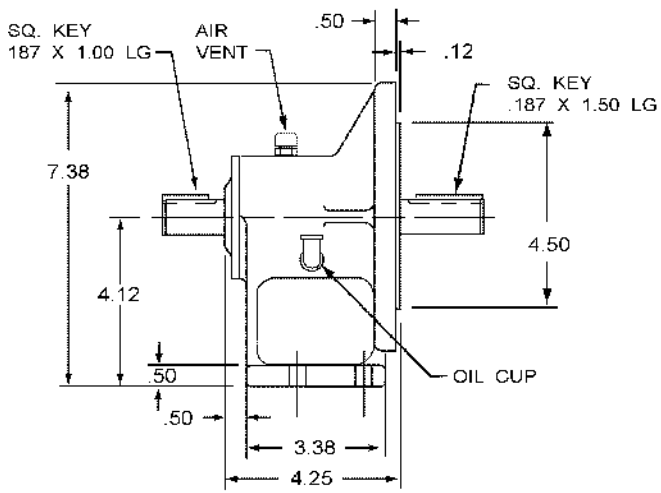


NOTES:

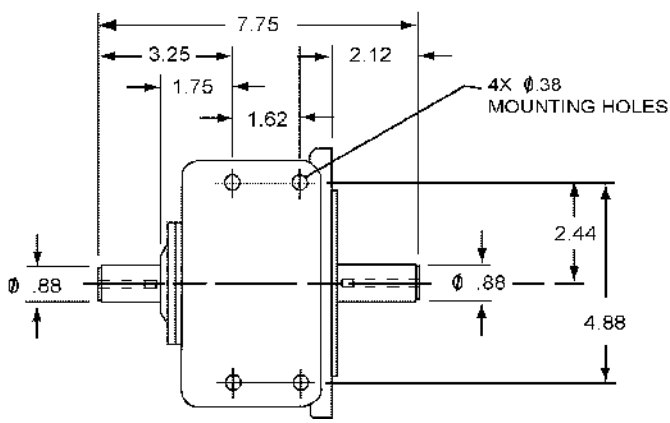
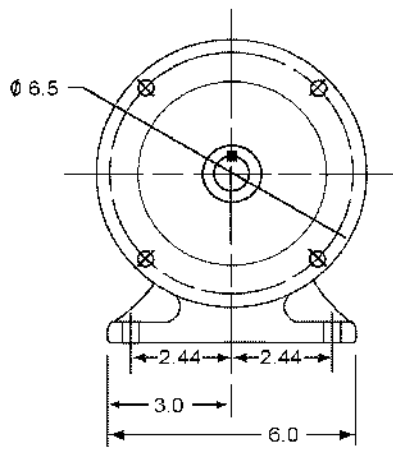
1. SUCTION AND DISCHARGE PORTS DEPENDENT UPON PUMP SHAFT ROTATION.
2. VENT, DRAIN, AND BEARING FLUSH PLUGS ARE 1/8" NPT.
3. MOTOR DIMENSIONS VARY BY MANUFACTURER. CONSULT MANUFACTURERS DRAWING FOR SPECIFICS.

MOTOR FRAME	A	B	C	D	E
143TC	7.55	4.02	2.75	34	3.50
145TC	7.55	5.00			
182C	7.88	4.50	3.75	4	4.50
187C	7.88	5.50			

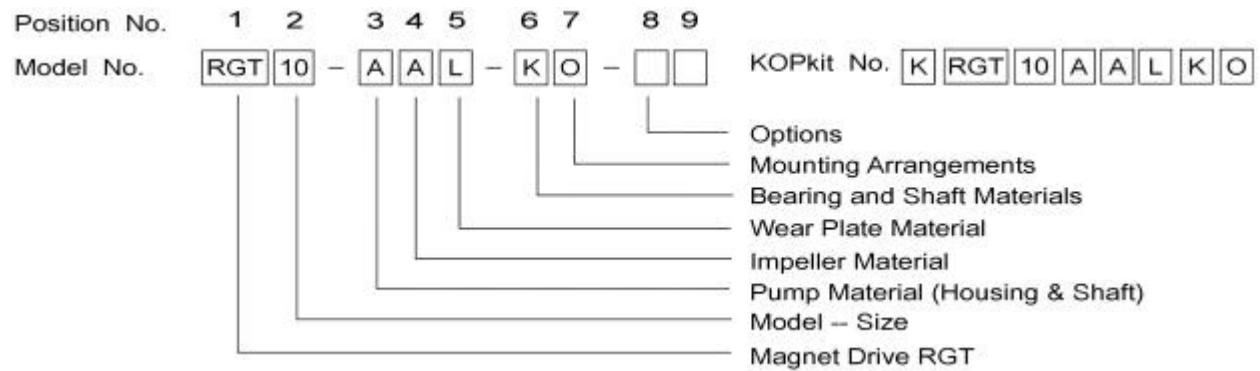
Pedestal Dimensional Data:



4X .38 - 16 UNC-2B ON A $\phi 5.875$ B. C. EQUALLY SPACED AS SHOWN



Selection Table



POSITION 1	REGENERATIVE TURBINE MAGNETICALLY DRIVEN SEALLESS RGT = C-FACE MOTOR MOUNTING ASSEMBLY.	(1) - 10, 12	
POSITION 2	PUMP SIZE	10	12
	Port Size (Inches)	1.00"	1.00"
	Capacity (GPM MAX)	14.5	23.3
	Differential Pressure (PSIG MAX)	185	300
POSITION 3	AVAILABLE PUMP METAL AND TYPE PORT CONNECTION		
	A = 316SS FNPT	X	X
	C = ALLOY C FNPT	X	X
	K = 316SS FBSPT	X	X
	M = ALLOY C FBSPT	X	X
POSITION 4	IMPELLER MATERIAL		
	A = 316SS	X	X
	C = ALLOY C	X	X
POSITION 5	WEAR PLATE MATERIAL		
	L = Carbon	X	X
	T = TFE (Glass Filled) (2)	X	X
POSITION 6	BEARING AND SHAFT MATERIAL		
	K = Standard Carbon	X	X
	L = Extended Life Carbon	X	X
	T = TFE (Glass Filled) (2)	X	X
POSITION 7	MAG DRIVE MOUNTING ARRANGEMENT		
	0 = 143TC- 184C FRAME (U.S.) (3)	X	X
	K = 80 FRAME, (€ 100.00 B.C.) (Metric)	X	X
	L = 90 FRAME, (€ 115.00 B.C.) (Metric)	X	X
POSITION 8	OPTIONS		
	B = PFA Coated SS O-Rings / Metallic Bearing Lock Pins	X	X
	H = PFA Coated SS O-Rings / Metallic Bearing Lock Pins / Samarium Cobalt Magnets	X	X
	M = Alloy C Containment Can (316SS Construction)	X	X
	S = Samarium Cobalt Magnets (Required for temperatures above 300°F)	X	X
	W = Welded Driven Magnet Assembly (Samarium Cobalt Magnets ONLY)	X	X
POSITION 9	OPTIONS - CONSULT FACTORY		

Notes:

- 1.) RGT #10 and #12 pumps require motors with feet.
- 2.) Only for temperatures below 110°F.
- 3.) Motors larger than 5HP and motor frames 182TC and larger cannot be directly mounted on the pump. Pedestal assembly A128208 with a foot-mounted motor is required.
Use "O" in position 7 of the pump model number. Pedestal to be ordered as a separate line item.



A Unit of IDEX Corporation

Engineered Pump Operations
 2883 Brighton-Henrietta Town Line Road
 Rochester, New York 14623
 Telephone: (716) 292-8000
 Fax: (716) 424-5619
<http://www.pulsa.com> – E-mail: pulsa@pulsa.com