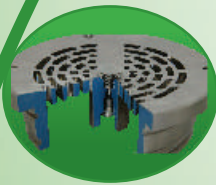




**Five
Year Drive
Train
Warranty**



Pulsa Pro™ 900

Process & Diaphragm Metering Pump

Introduction

An innovator for over seventy years, Pulsafeeder has been an established leader in the pump industry that other competitors strive to imitate. Through extensive voice of the customer research, our engineers developed the next technological evolution in the Petrochemical/Petroleum/Chemical Processing markets; the Pulsapro™ 900. Easy to operate, simple to maintain, the Pulsapro™ 900 is designed to produce higher flows at higher pressures.

The Pulsapro™ 900 is built to last. Its modular construction is durable, system-resilient, and user-friendly. The four motor mounting options offer installation flexibility. It's the first choice for quality.

The fluorocarbon lined reagent head option protects your investment. Impervious to multiple process fluids, it offers higher corrosion resistance than most standard heads available on the market

Specification

Product Scope

- Modular Configurations: Simplex, Duplex, Triplex and Quadriplex
- Flows up to 62,000 lph (16,380 gph)
- Innovative Front Pull-Out Design
- Meets and Exceeds: API 675, CE, ATEX
- Four Bolt Tie Bar Design
- Sandwich diaphragm pressure leak detection
- Flow control includes manual stroke length and optional variable speed motor
- Accuracy up to + 1/2%
- Process Temperature to 370°C (700°F)
- Viscosity to 3000 CPS standard
- Metric Fasteners
- No Welds on Wet End Parts

Materials of Construction

- Reagent head: 316L, Alloy 20, Hastelloy C fluoro-carbon lined and others
- Check Valves: 316L, Alloy 20, Hastelloy C and others
- Diaphragm: PTFE, metal
- Gearbox: Cast Iron

Features & Benefits



→ Modular Design

- Simplex, Duplex, Triplex and Quadriplex
- Space saving multiplex arrangements
- Horizontal and/or vertical motor arrangements



→ Fluorocarbon Lined Reagent Head Available

- Highest corrosion resistance
- Cost effective
- Alternative for all high alloys metal construction



→ Four Bolt Tie Bar Design

- Resistant to pipe stress
- Provides rigidity to check valves
- Helps promote leak free operation
- Quick removal of check valves without removing any piping



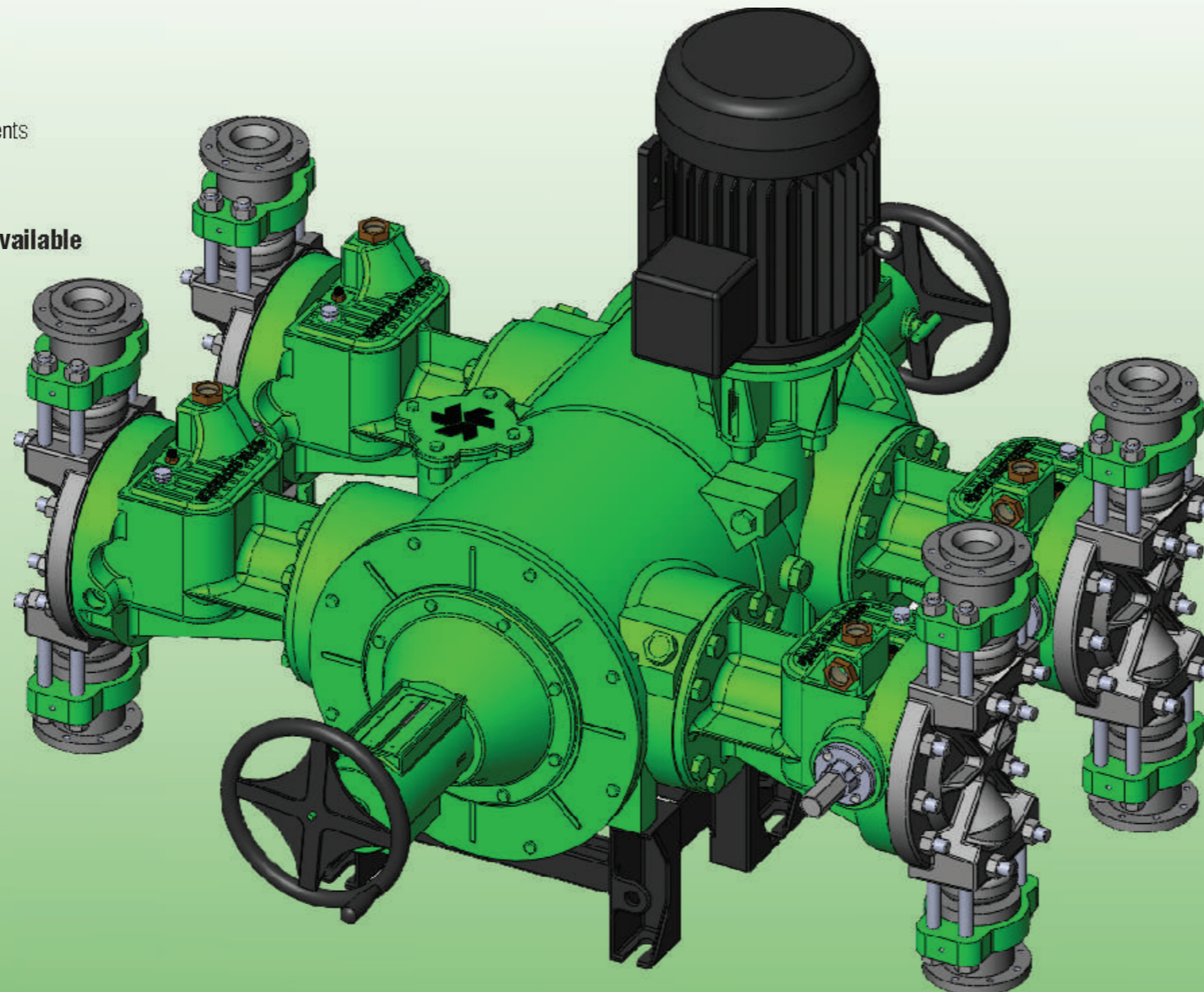
→ Unique Ball Valve Design

- Knife edge seats
- Accurate, efficient, flow transfer
- Simple three component design
- Flute guided



→ Disc Valve Assembly

- Leak-free design
- Low cost renewable components
- Designed for higher pressures
- All metal construction-PTFE o-ring seat



→ Hydraulic Diagnostic Package

- Visual indication of pump performance
- Visual verification of system upset
- Suction and discharge



→ Hydraulic Bypass Valve

- Provides protection against pump overpressurization
- Externally adjustable
- Continuous visual inspection



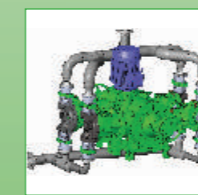
→ Hydraulic Performance Valve

- Externally serviceable cartridge valve design
- Protects against suction restrictions
- Allows for greater viscosities and solid contents



→ Manual Stroke Length Control

- Simple, rugged design
- Dual scale capability-percent and flow units
- Common stroke adjustment for duplex assemblies
- Individual stroke control available with dual boxes



→ Manifolds available as an accessory

Target Markets and Applications

Oil & Gas

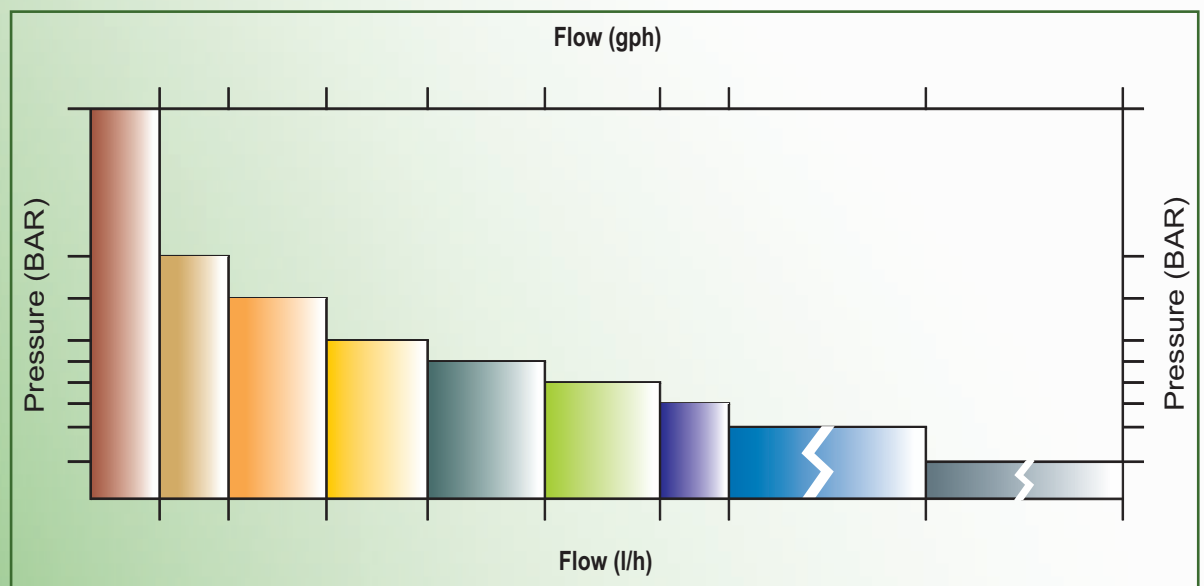
Biocides
Corrosion Inhibitor
Demulsifiers
Enhanced Oil Recovery
Flare Knockout
Glycol
Methanol
Oxygen Scavenging
Sour Water

Chemical and Petrochemical

Ammonia
Chlorine Dioxide
Ethylene Glycol
Ethylene Oxide
Methanol
Propylene

Serviceability

- Patented hydraulic diagnostic package helps to monitor and helps ensure correct pump performance
- Patent Pending front pull-out design, for efficient and simplified maintenance
- Check valves are removable without disassembly of piping
- External valves and controls
- KOPkits®- “Keep on Pumping” provide cost effective maintenance and minimal downtime
- **Five Year Drive Train Warranty****



For more information please email:
pulsapro900@idexcorp.com

IDEX
FLUID & METERING

PULSAFEEDER

A Unit of IDEX Corporation

2883 Brighton Henrietta TL Rd.
Rochester, NY 14623
Phone: 585-292-8000 Fax: 585-424-5619
www.pulsafeeder.com

Pulsafeeder® is an ISO 9001 and 14001 compliant company.

* KOPkits® contain the recommended spare parts off the liquid end that typically require preventative maintenance such as diaphragm, check valve seats, balls and O-rings.
** Please see IOM for details.

PulsaPro™ 900/April 2009